

LINDNER

WASHTECH

**Washing- and Sorting Systems
for the plastic Recycling industry**

INTRODUCTION

LINDNER AT A GLANCE

We at Lindner develop and produce technologies and system solutions to turn the world's waste into value. Our customers process waste for material recycling and for combustion as high-quality, resource-conserving solid recovered fuels. With our employees' expertise and the exceptional quality of our products, we make sure that our customers make the most of waste.

- Founding year: 1948
- 100 % family owned
- Employees: > 450 worldwide
- 2 production facilities in Austria
- 4 sales and service subsidiaries
- Export countries: >90



SYSTEM SOLUTIONS

SOLID RECOVERED FUELS

- Single-stage processing of solid recovered fuels
- Multi-stage processing of premium solid recovered fuels

PLASTICS RECYCLING

- Post-consumer plastics recycling
- Post-industrial plastics recycling

WASTE WOOD PROCESSING

- Waste wood
- Commercial and industrial waste
- Light scrap



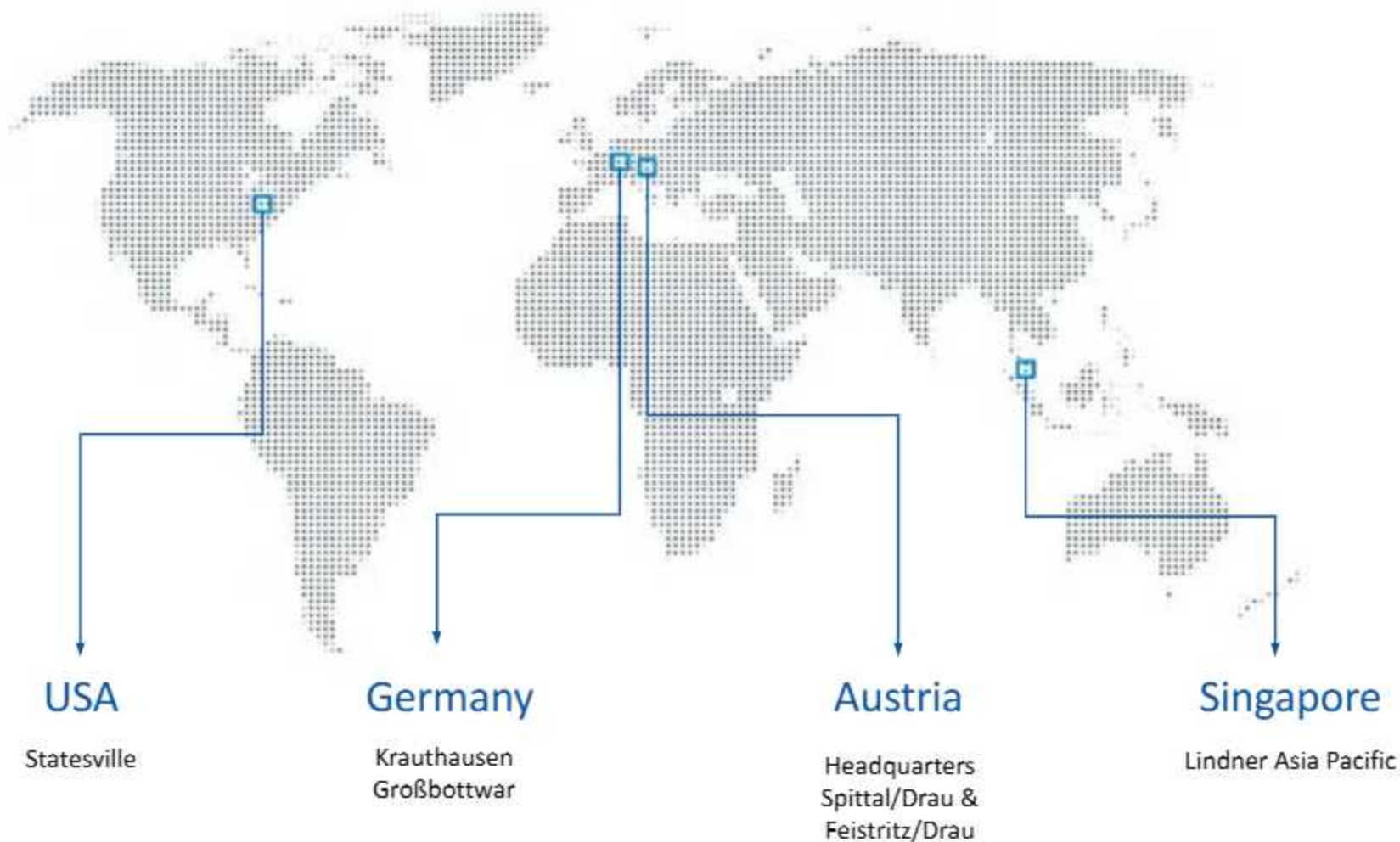
LINDNER WASHTECH GMBH AT A GLANCE

As a member of the LINDNER Group we supply high-performance Sorting and Washing technology for the plastic recycling industry. From planning to development, construction and production to service, everything comes from a single source.

- **Founding year: 2013**
- **Employees: around 50**
- **200 Washing Projects realized**
- **Sales office in Großbottwar / Germany**
- **Main location and Engineering Feistritz /Austria**
- **Sales 2022 - € 36 Mio.**



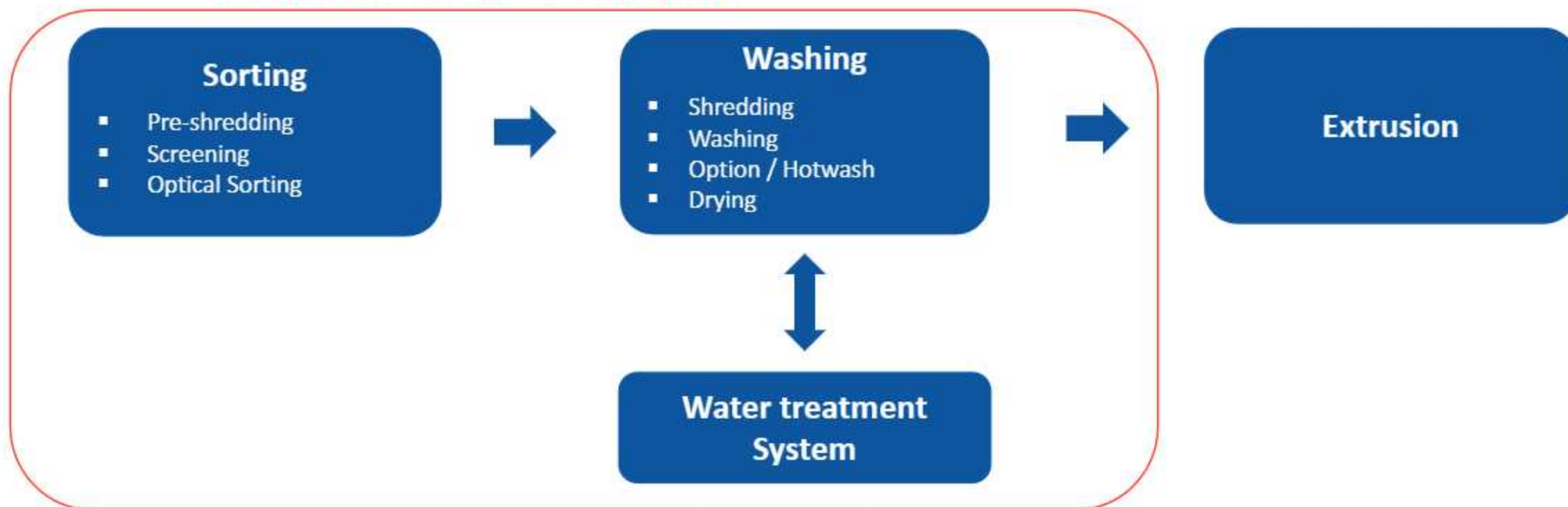
LINDNER WORLDWIDE



LINDNER WASHTECH – TURNKEY SOLUTIONS

4 Key components in order to reach the highest recycling quality level

LINDNER Washtech scope of supply



INPUT MATERIALS FOR LINDNER WASHING LINES

INPUT MATERIAL



WASHING LINES FOR DIFFERENT APPLICATIONS

PLANT LAYOUT SORTING LINE

Basic Sorting Line to increase quality level of input material



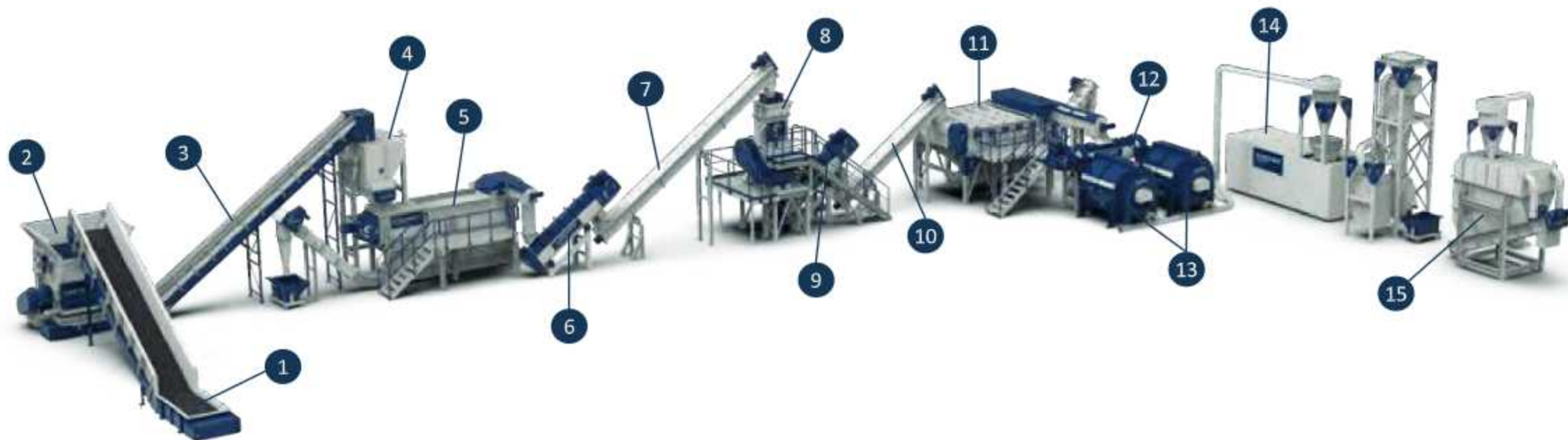
PACKAGING REINVENTED

POST-CONSUMER PLASTIC PROCESSING



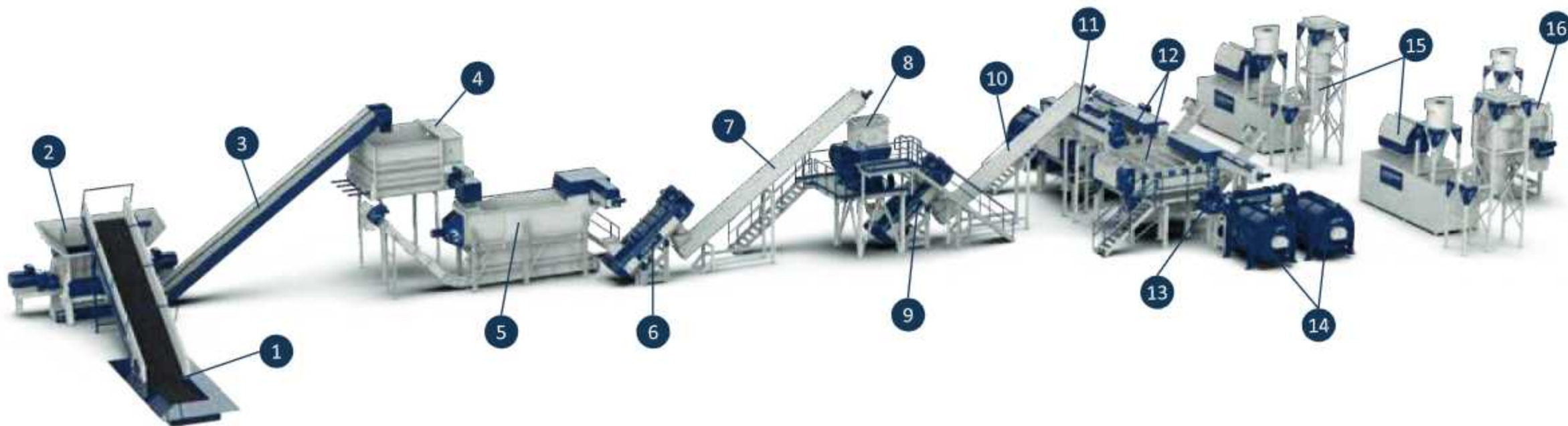
LINDNER WASHING LINE – FILM

1.2 - 1.5 T/H OUTPUT



- | | | | |
|---------------------------|-----------------------------|--------------------|------------------------|
| 1 Feeding conveyor | 5 Pre-washing „Rafter“ | 9 Friction washer | 13 2x Mechanical Dryer |
| 2 Shredder | 6 Friction washer „Twister“ | 10 Transport screw | 14 Thermal Drying |
| 3 Discharge belt conveyor | 7 Transport screw | 11 Separation tank | 15 Bunker |
| 4 Dosing Silo | 8 Wet Granulator | 12 Pre-Dryer | |

NEW LINDNER WASHING LINE – FILM 2.0 – 2.5 T/H OUTPUT



1 Feeding conveyor

2 Shredder

3 Discharge belt conveyor

4 Dosing Silo

5 Pre-washing „Rafter extend“

6 Double friction washer

7 Transport screw

8 Wet Granulator

9 Double friction washer

10 Transport screw

11 Distribution screw

12 2x Separation tank

13 2x Pre-dryer

14 4x mechanical dryer

15 2x Thermal Drying

16 Bunker

THE CLEAN GUARANTEE.

POST-COMMERCIAL RIGID PLASTICS PROCESSING



LINDNER WASHING LINE – RIGID PLASTICS

2.5 – 3.0 T/H OUTPUT INCL. HOT WASH



A CLEAN PROCESS

PROCESSING OF POST-CONSUMER PET BOTTLES



LINDNER WASHING LINE – PET BOTTLES

2.5 – 3.0 T/H OUTPUT



LINDNER PRODUCTS

**PRE-WASHING
„RAFTER“**



**SEPARATION TANK
„GRAVITER“**



**CASCADE WIND
SHIFTER**



STEP-DRYER



**FRICTION WASHER
„TWISTER“**



**SEPARATION TANK
„GRAVITER PET“**



XPERT DE-LABELLER



LOOP-DRYER



HOT-WASH TOWER



FILM EXAMINER



**VARIO DOSING
AND MIXING SILO**



THERMAL-DRYER



CONTACT DETAILS

NAME: MARCEL WILLBERG

EMAIL: MARCEL.WILLBERG@LINDNER-WASHTECH.COM

PHONE: + 49 151 19606341

FURTHER QUESTIONS ?

PLEASE GET IN CONTACT WITH ME



LINDNER

WASHTECH

Thank you for listening